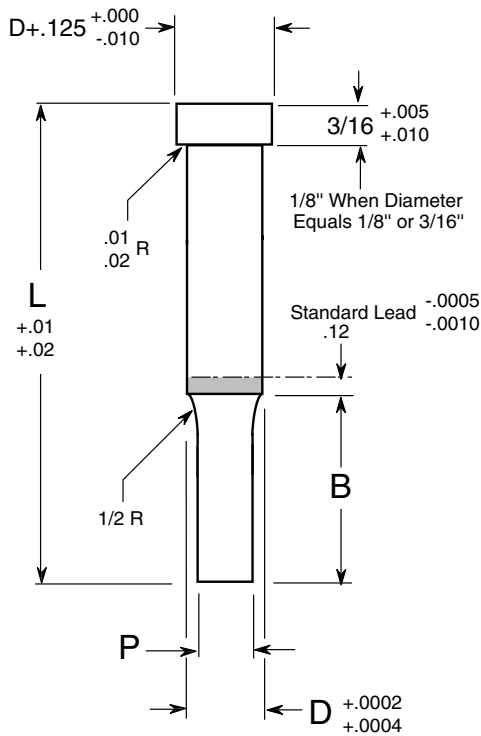


STEPPED PUNCHES

M-2: Rc 60/63 • A-2: Rc 60/62 • D-2, PM-M4, PM-10V: Rc 61/63 • See Page 16 for Price List

STYLE SP__



Point	Tolerance	Concentricity	
		P to D	T.I.R.
Round	#1 +.0002 -.0	.0003	
	#2 +.0005 -.0	.0005	
Shaped	#1 +.0002 -.0	.0003	
	#2 +.0005 -.0005	.001	

How to Check "G"

$$G = \sqrt{P^2 + W^2}$$

Standard Keying		
Parallel to the major axis (Ref. 0°) Custom Location on Request		
<p>Single Flat 1F</p>	<p>Double Flat 2F</p>	<p>Dowel 2D</p>

Style SPS	Style SPO	Style SPD
<p>Round</p>	<p>Oblong</p>	<p>Dee</p>
Style SPR	Style SPK	Style SPF
<p>Rectangle</p>	<p>Radius Rectangle (also includes square) (Specify R)</p>	<p>Flatted Round</p>

How to Order: EXAMPLES							
Style	Length	Mat.	Pt. Dim. PxW	Pt. Length	Tol.	Keying	Qty.
SPS 31	2"	M-2	.138	1"	#2		24
SPO 25	2 1/4"	10-V	.1614 x .0986	1 1/2"	#1	1F	6
SPK 37	2 1/4"	10-V	.1614 x .1267 R .010	1 1/2"	#1	1F	6

STEPPED PUNCHES

See Page 16 for Price List

Style SP__	Body Dia. D	Standard Lengths										Point Length B	Round Min. P	Shapes			
		L												Min. W	Max. P or G		
SP__12	1/8	1 1/4	1 1/2	1 3/4	2	2 1/4	2 1/2	2 3/4	3				1/2	.031	.062	.1245	
			1 1/2	1 3/4	2	2 1/4	2 1/2	2 3/4	3				3/4	.062	.062		
				1 3/4	2	2 1/4	2 1/2	2 3/4	3				1	.062	.062		
					2	2 1/4	2 1/2	2 3/4	3				1 1/4	.093	.093		
SP__18	3/16	1 1/4	1 1/2	1 3/4	2	2 1/4	2 1/2	2 3/4	3	3 1/4	3 1/2		1/2	.046	.062	.1870	
			1 1/2	1 3/4	2	2 1/4	2 1/2	2 3/4	3	3 1/4	3 1/2		3/4	.062	.062		
				1 3/4	2	2 1/4	2 1/2	2 3/4	3	3 1/4	3 1/2		1	.062	.062		
					2	2 1/4	2 1/2	2 3/4	3	3 1/4	3 1/2		1 1/4	.093	.093		
						2 1/4	2 1/2	2 3/4	3	3 1/4	3 1/2		1 1/2	.125	.125		
SP__25	1/4	1 1/4	1 1/2	1 3/4	2	2 1/4	2 1/2	2 3/4	3	3 1/4	3 1/2		1/2	.062	.062	.2495	
			1 1/2	1 3/4	2	2 1/4	2 1/2	2 3/4	3	3 1/4	3 1/2		3/4	.062	.062		
				1 3/4	2	2 1/4	2 1/2	2 3/4	3	3 1/4	3 1/2		1	.062	.062		
					2	2 1/4	2 1/2	2 3/4	3	3 1/4	3 1/2		1 1/4	.093	.093		
SP__31	5/16	1 1/4	1 1/2	1 3/4	2	2 1/4	2 1/2	2 3/4	3	3 1/4	3 1/2	3 3/4	4	1/2	.093	.093	.3120
			1 1/2	1 3/4	2	2 1/4	2 1/2	2 3/4	3	3 1/4	3 1/2	3 3/4	4	3/4	.093	.093	
				1 3/4	2	2 1/4	2 1/2	2 3/4	3	3 1/4	3 1/2	3 3/4	4	1	.093	.093	
					2	2 1/4	2 1/2	2 3/4	3	3 1/4	3 1/2	3 3/4	4	1 1/4	.093	.093	
						2 1/4	2 1/2	2 3/4	3	3 1/4	3 1/2	3 3/4	4	1 1/2	.125	.125	
SP__37	3/8	1 1/4	1 1/2	1 3/4	2	2 1/4	2 1/2	2 3/4	3	3 1/4	3 1/2	3 3/4	4	1/2	.125	.125	.3745
			1 1/2	1 3/4	2	2 1/4	2 1/2	2 3/4	3	3 1/4	3 1/2	3 3/4	4	3/4	.125	.125	
				1 3/4	2	2 1/4	2 1/2	2 3/4	3	3 1/4	3 1/2	3 3/4	4	1	.125	.125	
					2	2 1/4	2 1/2	2 3/4	3	3 1/4	3 1/2	3 3/4	4	1 1/4	.125	.125	
SP__43	7/16		1 1/2	1 3/4	2	2 1/4	2 1/2	2 3/4	3	3 1/4	3 1/2	3 3/4	4	3/4	.187	.187	.4370
				1 3/4	2	2 1/4	2 1/2	2 3/4	3	3 1/4	3 1/2	3 3/4	4	1	.187	.187	
					2	2 1/4	2 1/2	2 3/4	3	3 1/4	3 1/2	3 3/4	4	1 1/4	.187	.187	
						2 1/4	2 1/2	2 3/4	3	3 1/4	3 1/2	3 3/4	4	1 1/2	.187	.187	
							2 1/4	2 1/2	2 3/4	3	3 1/4	3 1/2	3 3/4	4	1 1/2	.187	
SP__50	1/2		1 1/2	1 3/4	2	2 1/4	2 1/2	2 3/4	3	3 1/4	3 1/2	3 3/4	4	3/4	.225	.187	.4995
				1 3/4	2	2 1/4	2 1/2	2 3/4	3	3 1/4	3 1/2	3 3/4	4	1	.225	.187	
					2	2 1/4	2 1/2	2 3/4	3	3 1/4	3 1/2	3 3/4	4	1 1/4	.225	.187	
						2 1/4	2 1/2	2 3/4	3	3 1/4	3 1/2	3 3/4	4	1 1/2	.225	.187	
SP__62	5/8		1 1/2	1 3/4	2	2 1/4	2 1/2	2 3/4	3	3 1/4	3 1/2	3 3/4	4	3/4	.310	.250	.6245
				1 3/4	2	2 1/4	2 1/2	2 3/4	3	3 1/4	3 1/2	3 3/4	4	1	.310	.250	
					2	2 1/4	2 1/2	2 3/4	3	3 1/4	3 1/2	3 3/4	4	1 1/4	.310	.250	
						2 1/4	2 1/2	2 3/4	3	3 1/4	3 1/2	3 3/4	4	1 1/2	.310	.250	
SP__75	3/4		1 1/2	1 3/4	2	2 1/4	2 1/2	2 3/4	3	3 1/4	3 1/2	3 3/4	4	3/4	.390	.312	.7495
				1 3/4	2	2 1/4	2 1/2	2 3/4	3	3 1/4	3 1/2	3 3/4	4	1	.390	.312	
					2	2 1/4	2 1/2	2 3/4	3	3 1/4	3 1/2	3 3/4	4	1 1/4	.390	.312	
						2 1/4	2 1/2	2 3/4	3	3 1/4	3 1/2	3 3/4	4	1 1/2	.390	.312	
SP__100	1		1 1/2	1 3/4	2	2 1/4	2 1/2	2 3/4	3	3 1/4	3 1/2	3 3/4	4	3/4	.485	.375	.9995
				1 3/4	2	2 1/4	2 1/2	2 3/4	3	3 1/4	3 1/2	3 3/4	4	1	.485	.375	
					2	2 1/4	2 1/2	2 3/4	3	3 1/4	3 1/2	3 3/4	4	1 1/4	.485	.375	
						2 1/4	2 1/2	2 3/4	3	3 1/4	3 1/2	3 3/4	4	1 1/2	.485	.375	