

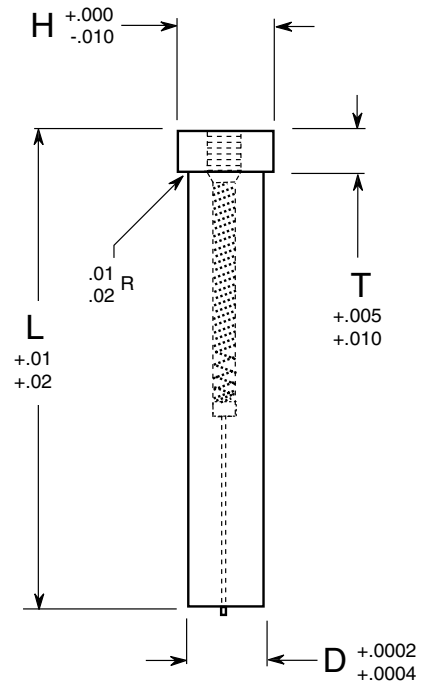
EJECTOR PUNCH BLANKS

M-2: Rc 60/63 • D-2, PM-M4, PM-10V: Rc 61/63

STYLE BES

Style BES	D	H	T	L Length 1/4" Increments	Component (PEC)	M-2	D-2	PM-M4	PM-10V
12*	1/8	1/4	1/8	1 1/4 - 2 1/2	10	22.30	ON REQUEST		
18	3/16	5/16	1/8	1 1/4 - 3	20	17.12	17.85	19.62	24.31
25	1/4	3/8	3/16	1 1/4 - 3	29	16.90	17.63	19.70	24.21
31	5/16	7/16	3/16	1 1/4 - 4	42	16.51	17.25	19.81	24.98
37	3/8	1/2	3/16	1 1/4 - 4	60	16.68	17.44	20.54	26.15
43	7/16	9/16	3/16	1 1/2 - 4	60	18.53	19.34	23.29	29.66
50	1/2	5/8	3/16	1 1/2 - 4	60	19.33	20.17	24.36	31.78
62	5/8	3/4	3/16	1 1/2 - 4	90	22.47	23.41	29.34	38.02
75	3/4	7/8	3/16	1 1/2 - 4	90	27.88	28.99	37.16	47.30
100	1"	1 1/8	3/16	1 1/2 - 4	90	40.08	41.55	54.85	70.94

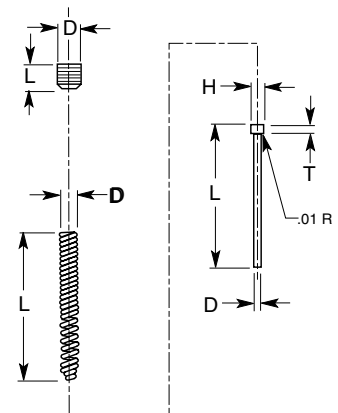
* BES-12 stocked in M-2 only



Component Specifications

Component	Set Screw		Spring		Pin				Price per Set
	D	L	D	L	D	L	H	T	
05	3-48	.19	.080	2.40	.017	1.10	.048	.031	2.70
10	2-56	.12	.065	2.40	.022	2.0	.062	.031	2.45
20	3-48	.19	.080	2.40	.027	2.0	.062	.047	2.45
29	5-40	.19	.104	2.40	.027	2.0	.073	.047	2.45
42	8-32	.19	.135	3.20	.041	2.0	.094	.062	2.45
60	10-32	.19	.167	3.00	.058	2.0	.120	.062	2.45
90	1/4-28	.25	.216	3.05	.089	2.25	.156	.094	2.45
120	5/16-24	.25	.270	2.56	.120	2.2	.188	.094	3.40

STYLE BEC



Quantity Discounts

1 - 24	25 - 49	50 - 99	100 +
NET	5%	10%	CALL

How To Order: EXAMPLE

Style	Length	Mat.	Qty.
BES 31	3.25"	PM-M4	50