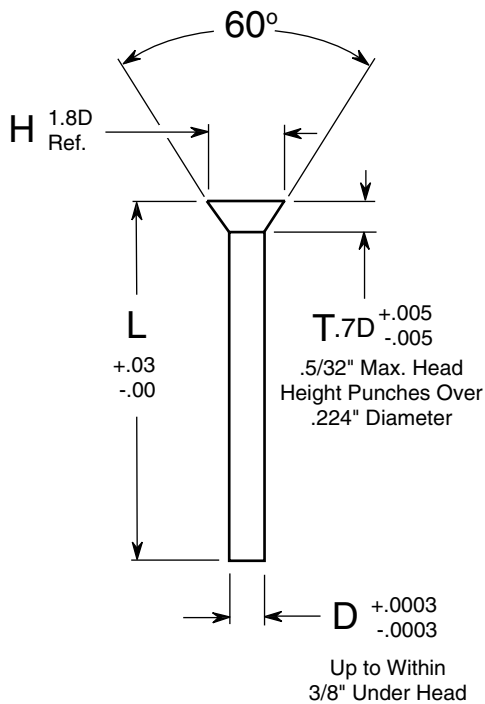


## BEVEL HEAD PERFORATORS

Tool Steel: Rc 58/60 • M-2 High Speed Steel: Rc 60/63

### STYLE TT \*



D Diameter .001 Increments	L Length	01	M-2
.020 - .029	2"	1.11	-
	2 1/2"	1.29	1.27
.030 - .039	2"	1.09	-
	2 1/2"	1.27	1.28
.040 - .0625 (1/16)	2"	1.02	-
	2 1/2"	1.17	1.20
.063 - .0781 (5/64)	2"	1.02	-
	2 1/2"	1.17	1.25
.079 - .0937 (3/32)	2"	1.02	-
	2 1/2"	1.17	1.30
.094 - .1094 (7/64)	2"	1.14	-
	2 1/2"	1.35	1.50
.110 - .125 (1/8)	2"	1.14	-
	2 1/2"	1.35	1.54
.126 - .135	2"	1.29	-
	2 1/2"	1.50	1.77
.136 - .157	2"	1.68	-
	2 1/2"	1.89	2.64
.158 - .187	2"	1.68	-
	2 1/2"	1.89	2.64
.188 - .250	2"	1.68	-
	2 1/2"	1.89	2.67

Larger Sizes available on Request

#### How to Order: EXAMPLES

Style	Dia.	Length	Qty.
TT M-2	.125	2 1/2"	50
TT-01	.125	2 1/2"	50

#### Min. Cut-off Charge \$5.00

Diameter	.020 - .029	.030 - .125	.126 - .250
Price Each	on request	.30	.40

#### Quantity Discounts

10-24	25-49	50 - 99	100 +
NET	5%	10%	Call