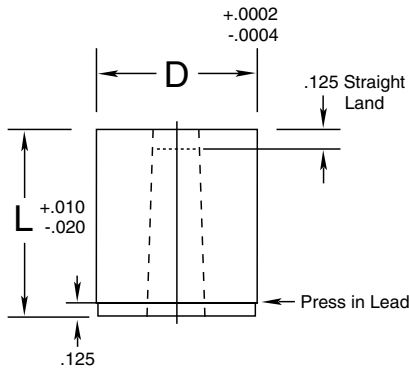


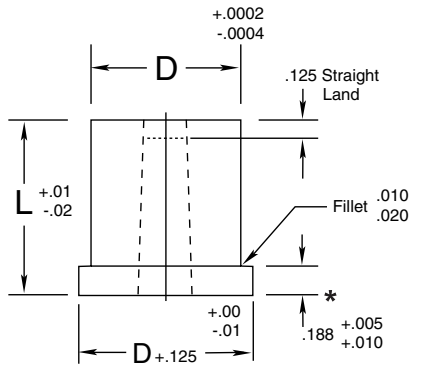
## PRECISION DIE BUTTONS

M-2: Rc 60-63 • PM-10V: Rc 61-63 • (A-2, D-2 & M-4 on request) • See Page 17 for Price List

### HEADLESS DB \*



### HEADED DH \*



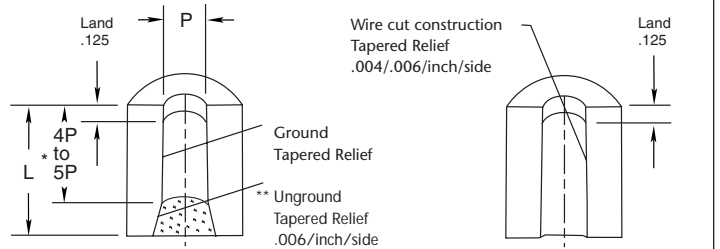
\* .125 when  
D = .125 or .1875

Point	Tolerance	Concentricity	
		P to D	T.I.R.
Round	#1 +.0002 -.0	.0003	
	#2 +.0005 -.0	.0005	
Shaped	#1 +.0002 -.0	.0003	
	#2 +.0005 -.0005	.001	

How to Check "G"

$$G = \sqrt{P^2 + W^2}$$

### Die Construction



\* Limited to 3P for hole Dia. under .700

\*\* Optional die construction where "L" is greater than 4P

Style DB	Style DBO	Style DBD
Round 	Oblong 	Dee 
Style DBR	Style DBK	Style DBF
Rectangle (also includes square) 	Radius Rectangle (also includes square) 	Flatted Round 

### How to Order: EXAMPLES

Style	Body Code	Length	P & W	Tol	Keying	Qty
DBK	37	7/8	.109 x .225 R .010	1	1F	4
DHO	50	1	.250 x .375	2		6

# PRECISION DIE BUTTONS

See Page 17 for Price List

Style DB_ DH_	Body Cod	Body Dia.	Round		Shape			Standard Lengths L								
			Min.	Max.	Min.	Max.										
			P		W	P or G										
DB_ DH_	18	3/16	.038 - .130		.050 - .130			1/2	5/8	3/4	7/8	1	1 1/8			
DB_ DH_	25	1/4	.050 - .170		.050 - .170			1/2	5/8	3/4	7/8	1	1 1/8			
DB_ DH_	31	5/16	.062 - .212		.050 - .212			1/2	5/8	3/4	7/8	1	1 1/8	1 1/4		
DB_ DH_	37	3/8	.075 - .255		.050 - .255			1/2	5/8	3/4	7/8	1	1 1/8	1 1/4	1 3/8	1 1/2
DB_ DH_	43	7/16	.130 - .297		.075 - .297			1/2	5/8	3/4	7/8	1	1 1/8	1 1/4	1 3/8	1 1/2
DB_ DH_	50	1/2	.150 - .344		.075 - .344			1/2	5/8	3/4	7/8	1	1 1/8	1 1/4	1 3/8	1 1/2
DB_ DH_	62	5/8	.188 - .425		.075 - .425				5/8	3/4	7/8	1	1 1/8	1 1/4	1 3/8	1 1/2
DB_ DH_	75	3/4	.225 - .510		.075 - .510				5/8	3/4	7/8	1	1 1/8	1 1/4	1 3/8	1 1/2
DB_ DH_	87	7/8	.300 - .595		.075 - .595				5/8	3/4	7/8	1	1 1/8	1 1/4	1 3/8	1 1/2
DB_ DH_	100	1	.400 - .680		.075 - .680				5/8	3/4	7/8	1	1 1/8	1 1/4	1 3/8	1 1/2
DB_ DH_	125	1 1/4	.500 - .850		.075 - .850				5/8	3/4	7/8	1	1 1/8	1 1/4	1 3/8	1 1/2

## Standard Keying

Parallel to the major axis (Ref. 0°)  
Custom Location on Request

