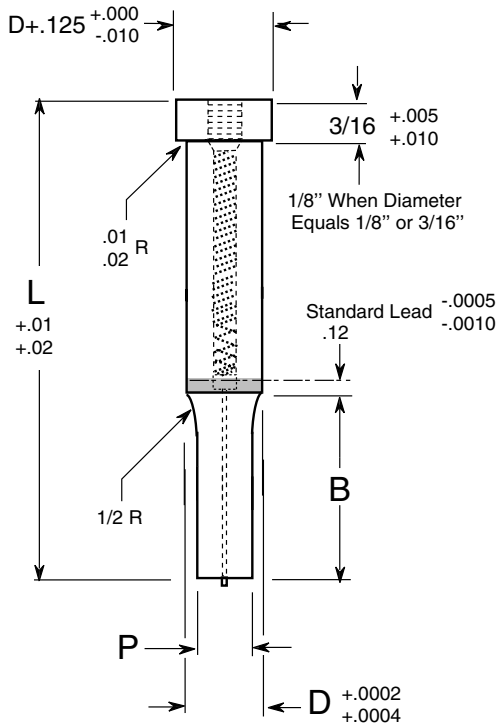


EJECTOR PUNCHES

M-2: Rc 60/63 • D-2, PM-M4, PM-10V: Rc 61/63 • See Page 17 for Price List

STYLE PE



See Page 7 for PEC Component Specifications.

Point	Tolerance	Concentricity
		P to D T.I.R.
Round	#1 $\begin{smallmatrix} +.0002 \\ -.0 \end{smallmatrix}$.0003
	#2 $\begin{smallmatrix} +.0005 \\ -.0 \end{smallmatrix}$.0005
Shaped	#1 $\begin{smallmatrix} +.0002 \\ -.0 \end{smallmatrix}$.0003
	#2 $\begin{smallmatrix} +.0005 \\ -.0005 \end{smallmatrix}$.001

How to Check "G"

$$G = \sqrt{P^2 + W^2}$$

Standard Keying		
Parallel to the major axis (Ref. 0°) Custom Location on Request		
<p>Single Flat 1F</p>	<p>Double Flat 2F</p>	<p>Dowel 2D</p>
<p>180° 0° 180° 0° 180° 0°</p> <p>270° 270° 270°</p> <p>$\frac{D}{2}$ $\frac{D}{2}$ $\frac{D}{2} + .0625$ for 1/8" Dia. Dowel</p>		

Style PES	Style PEO	Style PED
<p>Round</p>	<p>Oblong</p>	<p>Dee</p>
Style PER	Style PEK	Style PEF
<p>Rectangle</p>	<p>Radius Rectangle (also includes square)</p>	<p>Flatted Round</p>

How to Order: EXAMPLES							
Style	Length	Mat.	Pt. Dim. P x W	Pt. Length	Tol.	Keying	Qty.
PES 31	2"	M-2	.138	1"	#2		24
PEO 25	2 1/4"	10-V	.1614 x .0986	1 1/4"	#1	1F	6
PEK 37	2 1/4"	10-V	.1614 x .1267 R .010	1 1/4"	#1	1F	6

EJECTOR PUNCHES

See Page 17 for Price List

Style PE_	Body Dia. D	Standard Lengths											Point Length B	Round Min. P	Shapes		Ejector Comp. PEC	
		L													Min. W	Max. P or G		
PE_12	1/8	1 1/4	1 1/2	1 3/4	2	2 1/4	2 1/2							1/4	.050	.062	.1245	PEC-10
		1 1/4	1 1/2	1 3/4	2	2 1/4	2 1/2							1/2	.050			
PE_18	3/16	1 1/4	1 1/2	1 3/4	2	2 1/4	2 1/2	2 3/4	3					1/2	.062	.062	.1870	PEC-20
			1 1/2	1 3/4	2	2 1/4	2 1/2	2 3/4	3					3/4	.062			
				1 3/4	2	2 1/4	2 1/2	2 3/4	3					1	.062			
PE_25	1/4	1 1/4	1 1/2	1 3/4	2	2 1/4	2 1/2	2 3/4	3					1/2	.093	.093	.2495	PEC-29
			1 1/2	1 3/4	2	2 1/4	2 1/2	2 3/4	3					3/4	.093			
				1 3/4	2	2 1/4	2 1/2	2 3/4	3					1	.093			
					2	2 1/4	2 1/2	2 3/4	3					1 1/4	.093			
PE_31	5/16	1 1/4	1 1/2	1 3/4	2	2 1/4	2 1/2	2 3/4	3	3 1/4	3 1/2	3 3/4	4	1/2	.125	.125	.3120	PEC-42
			1 1/2	1 3/4	2	2 1/4	2 1/2	2 3/4	3	3 1/4	3 1/2	3 3/4	4	3/4	.125			
				1 3/4	2	2 1/4	2 1/2	2 3/4	3	3 1/4	3 1/2	3 3/4	4	1	.125			
					2	2 1/4	2 1/2	2 3/4	3	3 1/4	3 1/2	3 3/4	4	1 1/4	.125			
						2 1/4	2 1/2	2 3/4	3	3 1/4	3 1/2	3 3/4	4	1 1/2	.125			
PE_37	3/8	1 1/4	1 1/2	1 3/4	2	2 1/4	2 1/2	2 3/4	3	3 1/4	3 1/2	3 3/4	4	1/2	.187	.187	.3745	PEC-60
			1 1/2	1 3/4	2	2 1/4	2 1/2	2 3/4	3	3 1/4	3 1/2	3 3/4	4	3/4	.187			
				1 3/4	2	2 1/4	2 1/2	2 3/4	3	3 1/4	3 1/2	3 3/4	4	1	.187			
					2	2 1/4	2 1/2	2 3/4	3	3 1/4	3 1/2	3 3/4	4	1 1/4	.187			
						2 1/4	2 1/2	2 3/4	3	3 1/4	3 1/2	3 3/4	4	1 1/2	.187			
PE_43	7/16		1 1/2	1 3/4	2	2 1/4	2 1/2	2 3/4	3	3 1/4	3 1/2	3 3/4	4	3/4	.187	.187	.4370	PEC-60
				1 3/4	2	2 1/4	2 1/2	2 3/4	3	3 1/4	3 1/2	3 3/4	4	1	.187			
					2	2 1/4	2 1/2	2 3/4	3	3 1/4	3 1/2	3 3/4	4	1 1/4	.187			
						2 1/4	2 1/2	2 3/4	3	3 1/4	3 1/2	3 3/4	4	1 1/2	.187			
PE_50	1/2		1 1/2	1 3/4	2	2 1/4	2 1/2	2 3/4	3	3 1/4	3 1/2	3 3/4	4	3/4	.225	.225	.4995	PEC-60
				1 3/4	2	2 1/4	2 1/2	2 3/4	3	3 1/4	3 1/2	3 3/4	4	1	.225			
					2	2 1/4	2 1/2	2 3/4	3	3 1/4	3 1/2	3 3/4	4	1 1/4	.225			
						2 1/4	2 1/2	2 3/4	3	3 1/4	3 1/2	3 3/4	4	1 1/2	.225			
PE_62	5/8		1 1/2	1 3/4	2	2 1/4	2 1/2	2 3/4	3	3 1/4	3 1/2	3 3/4	4	3/4	.310	.310	.6245	PEC-90
				1 3/4	2	2 1/4	2 1/2	2 3/4	3	3 1/4	3 1/2	3 3/4	4	1	.310			
					2	2 1/4	2 1/2	2 3/4	3	3 1/4	3 1/2	3 3/4	4	1 1/4	.310			
						2 1/4	2 1/2	2 3/4	3	3 1/4	3 1/2	3 3/4	4	1 1/2	.310			
PE_75	3/4		1 1/2	1 3/4	2	2 1/4	2 1/2	2 3/4	3	3 1/4	3 1/2	3 3/4	4	3/4	.390	.390	.7495	PEC-90
				1 3/4	2	2 1/4	2 1/2	2 3/4	3	3 1/4	3 1/2	3 3/4	4	1	.390			
					2	2 1/4	2 1/2	2 3/4	3	3 1/4	3 1/2	3 3/4	4	1 1/4	.390			
						2 1/4	2 1/2	2 3/4	3	3 1/4	3 1/2	3 3/4	4	1 1/2	.390			
PE_100	1		1 1/2	1 3/4	2	2 1/4	2 1/2	2 3/4	3	3 1/4	3 1/2	3 3/4	4	3/4	.485	.485	.9995	PEC-90
				1 3/4	2	2 1/4	2 1/2	2 3/4	3	3 1/4	3 1/2	3 3/4	4	1	.485			
					2	2 1/4	2 1/2	2 3/4	3	3 1/4	3 1/2	3 3/4	4	1 1/4	.485			
						2 1/4	2 1/2	2 3/4	3	3 1/4	3 1/2	3 3/4	4	1 1/2	.485			

• Delivery: round 1-3 days, shaped 5 days